

KABELSCHLEPP



**Cable carriers
for modern offices**

FAST, EASY AND COST-EFFICIENT **CABLE CARRIERS FOR THE FURNITURE INDUSTRY**

TSUBAKI KABELSCHLEPP offers a wide range of standards and develops customer-specific solutions with cable carriers for the furniture industry. Our decades of experience from hundreds of successfully implemented projects across different industries produce new, customized and user-specific solutions time and again. Our experts support you from the initial idea to planning and installation in your project.

Individual complete solutions **From planning to the preassembled system**

Make use of our know-how. On request, we develop, test and produce the desired cable routing according to your requirements. Everything from structure, connection options and strain relief to packaging can be defined under one customer-specific material number, making ordering easier for you. Preassembly and collating of orders allow you to save costs and additionally reduce the required storage space.

Ready-to-install solutions

- » Purchasing and handling under one material number, sold as original equipment and as accessories for retrofitting
- » No picking of individual parts and simplified logistics through standard packaging
- » Kits including fixing elements and assembly instructions for on-site installation (saves assembly time at the customer site)



Information also on your smartphone!
(QR READER app is a free download)

[tsubaki-kabelschlepp.com](https://www.tsubaki-kabelschlepp.com)

Control station for control room



Service station



Sit/stand workstation



Room installation



Media boards



Kitchen furniture



MONO SERIES

FOR MEDIA BOARDS AND DISPLAYS

- » Easy and quick assembly
- » Many types available immediately ex-stock world wide
- » Cost-effective, durable cable carrier



Inner heights

10 – 15 mm



Inner widths

6 – 40 mm



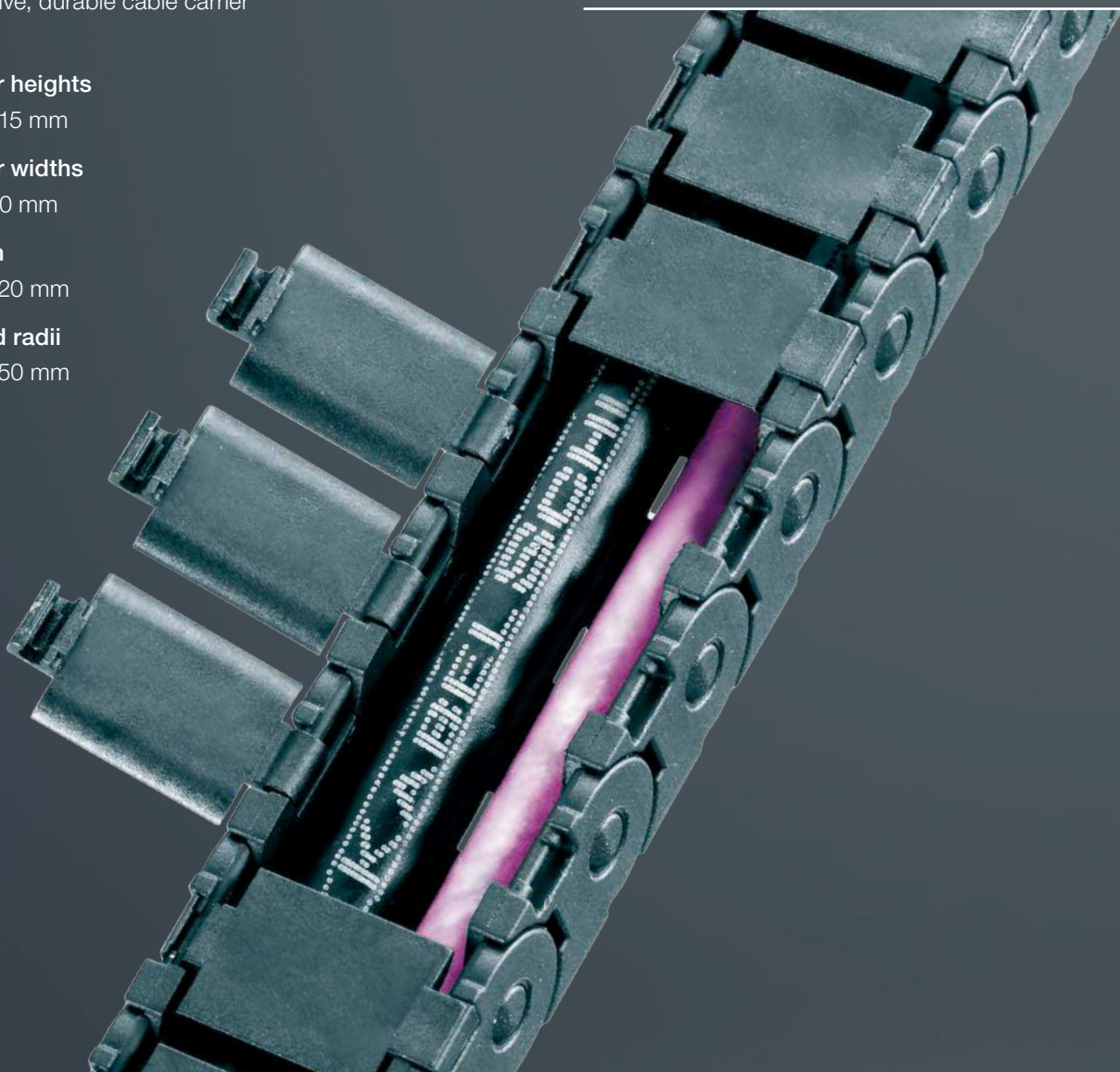
Pitch

13 – 20 mm



Bend radii

18 – 50 mm



Information also on your smartphone!
(QR READER app is a free download)

tsubaki-kabelschlepp.com/mono



01



02



03

- 01 Secure
- 02 Guiding
- 03 Compact

PROTUM® OFFICE P0240 GS

READY-TO-INSTALL FOR OFFICE WORKSTATIONS

- » Easy filling by pressing in the cables
- » Cable routing outside of the foot space
- » Complete separation of data and power cables possible



Inner height

10 mm



Inner width

50 mm



Pitch

24 mm



Color combinations

The color variants silver-gray, black and white for the band, the side parts and the connections can be combined



silver-gray



black



white

Side parts



Carrier band

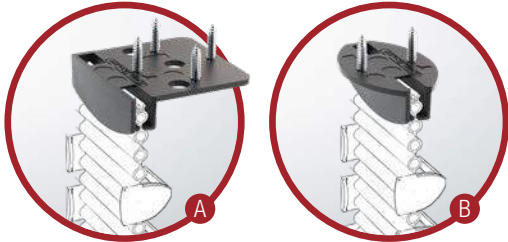


Information also on your smartphone!
(QR READER app is a free download)

tsubaki-kabelschlepp.com/protum

Combination options for end connectors

Can be attached to table frames, underneath table tops or cable ducts, to rectangular or round table legs or to the floor.



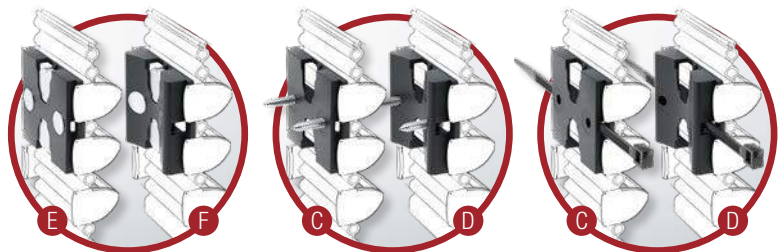
Connection A/B – angled/oval for table top for mounting underneath the table top or on the cable duct



7



Connection G – for floor connection for a clean transition to the floor covering



Connection C/E – for flat frames and **Connection D/F** – for round frames for mounting on the table frame (rectangular/ $\varnothing = 70$ mm) using integrated magnets **E F**, screws **C D** or cable ties **C D**

PROTUM® OFFICE P0400 GS

FOR EVEN MORE CABLES AT STANDARD AND SIT/ STAND WORKSTATIONS

- » Large usable space for cable installation
- » Cable routing outside of the foot space
- » Complete separation of data and power cables possible



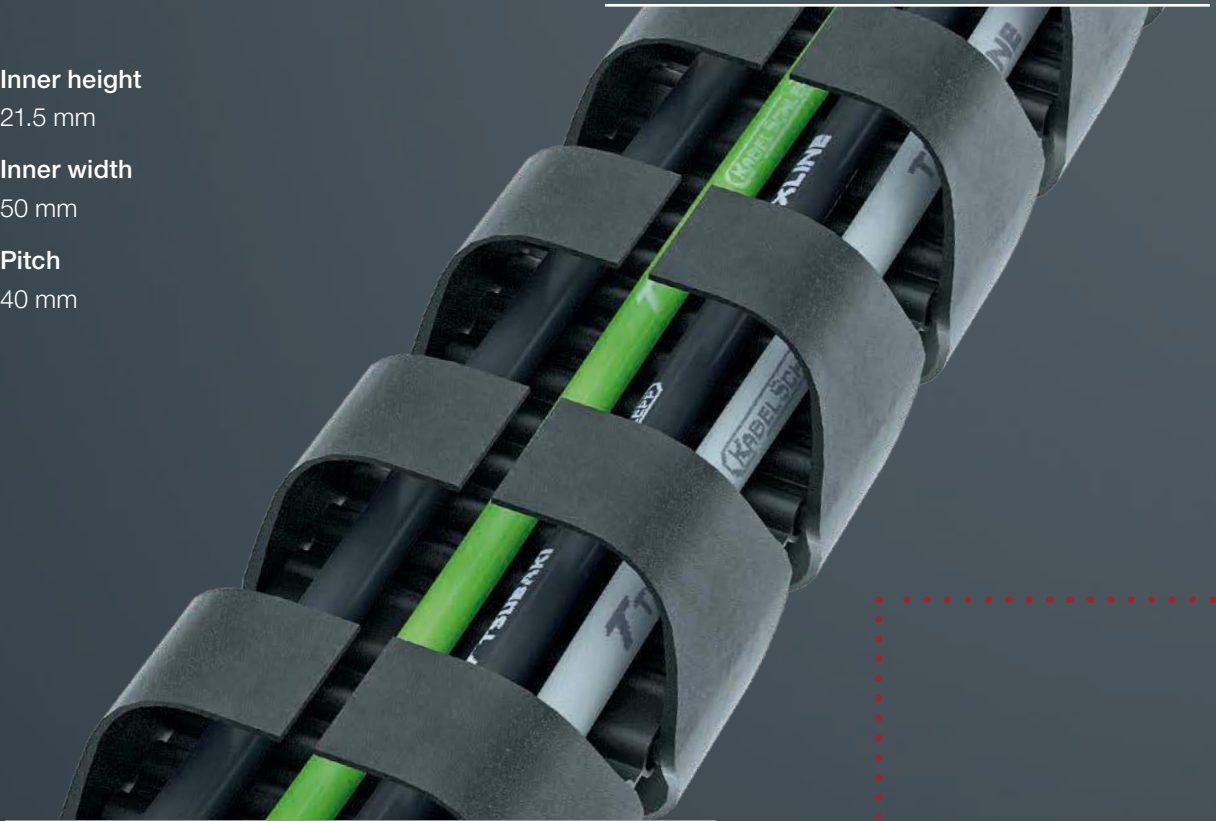
Inner height
21.5 mm



Inner width
50 mm



Pitch
40 mm



Color combinations

The color variants silver-gray, black and white for the band, the side parts and the connections can be combined



silver-gray



black

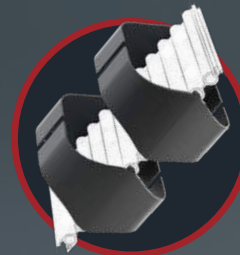


white

Side parts



P0400GS01



P0400GS02

Carrier band

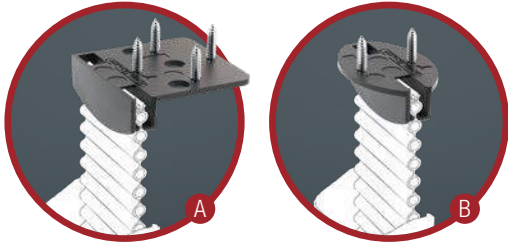


Information also on your smartphone!
(QR READER app is a free download)

tsubaki-kabelschlepp.com/protum

Combination options for end connectors

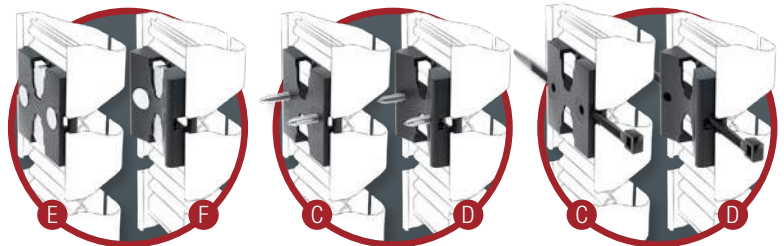
Can be attached to table frames, underneath table tops or cable ducts, to rectangular or round table legs or to the floor.



Connection A/B – angled/oval for table top for mounting underneath the table top or on the cable duct



Connection G – for floor connection for a clean transition to the floor covering



Connection C/E – for flat frames and **Connection D/F** – for round frames for mounting on the table frame (rectangular/Ø = 70 mm) using integrated magnets **E F**, screws **C D** or cable ties **C D**

EasyTrax® series

FAST INSTALLATION AND COST SAVINGS

- » Extremely fast cable laying as cables are simply pressed in
- » Very high fill level due to the lamella pivoting to the side – lamella do not pivot into the cable space
- » Extremely low noise due to integrated noise damping



Inner heights
4.6 – 25.5 mm



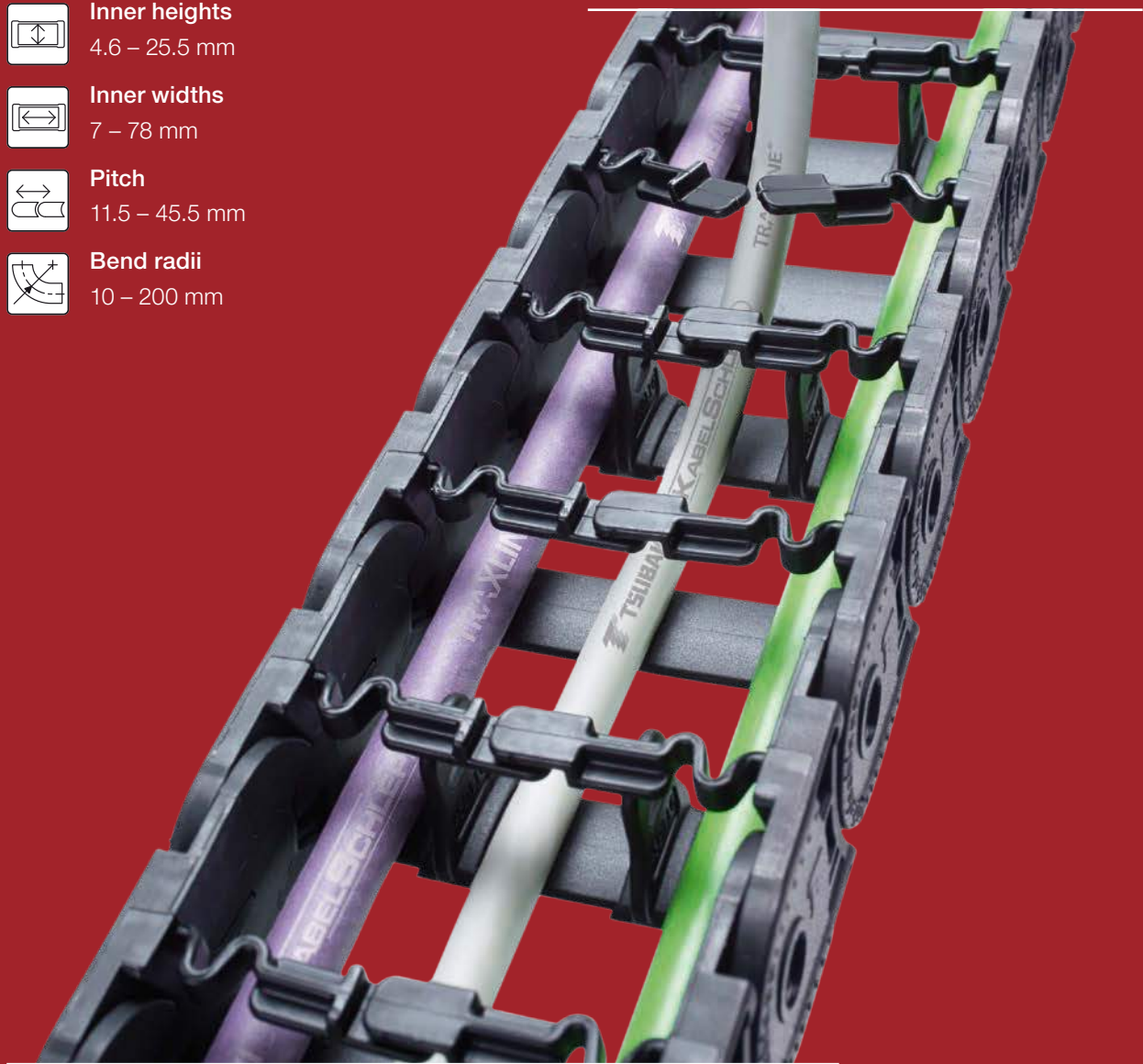
Inner widths
7 – 78 mm



Pitch
11.5 – 45.5 mm

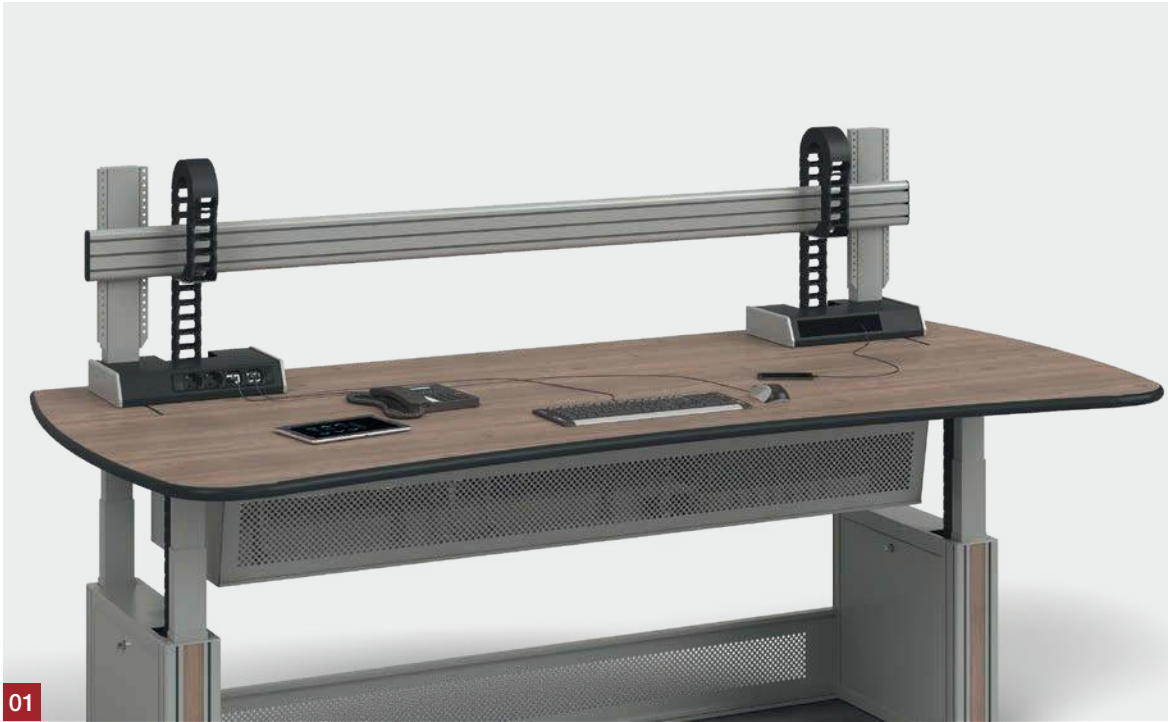


Bend radii
10 – 200 mm



Information also on your smartphone!
(QR READER app is a free download)

tsubaki-kabelschlepp.com/easytrax



01 Added protection for more safety

02 Cable routing for more clearance

03 Cable protection for more availability



QuickTrax® series

SEPARATING DATA AND POWER CABLES

- » Extremely fast and easy cable laying thanks to crossbar with film hinge
- » Extremely low noise due to integrated noise damping
- » High fill level possible



Inner height
20 mm



Inner widths
15 – 65 mm



Pitch
32 mm



Bend radii
28 – 125 mm



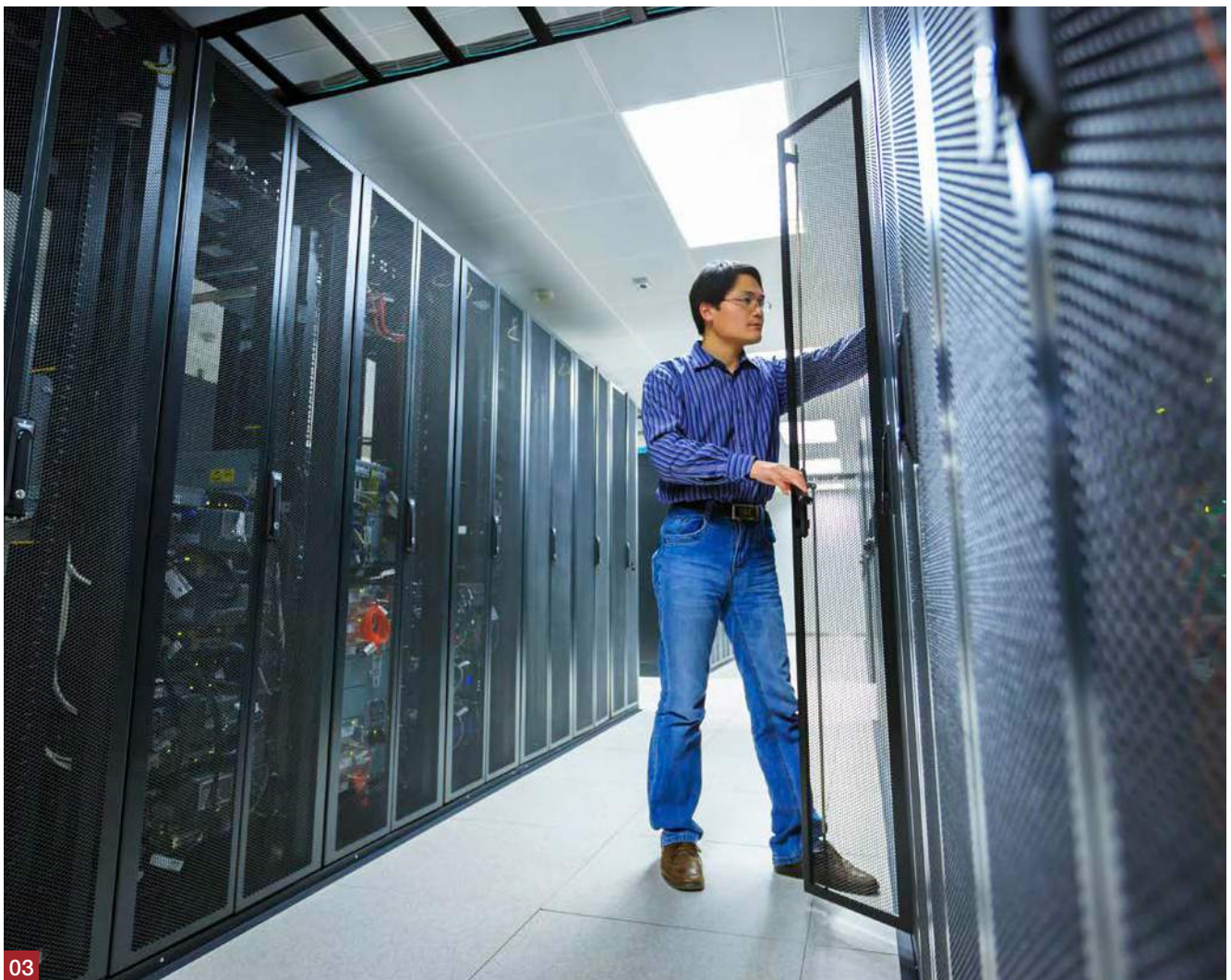
Information also on your smartphone!
(QR READER app is a free download)

tsubaki-kabelschlepp.com/quicktrax

01 Vertical cable routing

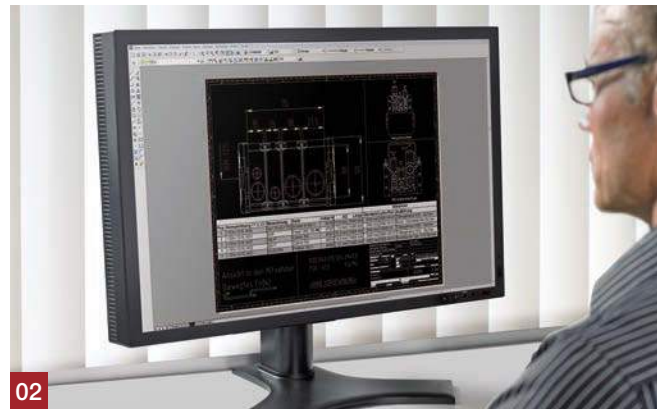
02 For more comfort and safety

03 Data protection and long service life



FROM A SINGLE SOURCE

TAILORED CUSTOMER SOLUTIONS



01

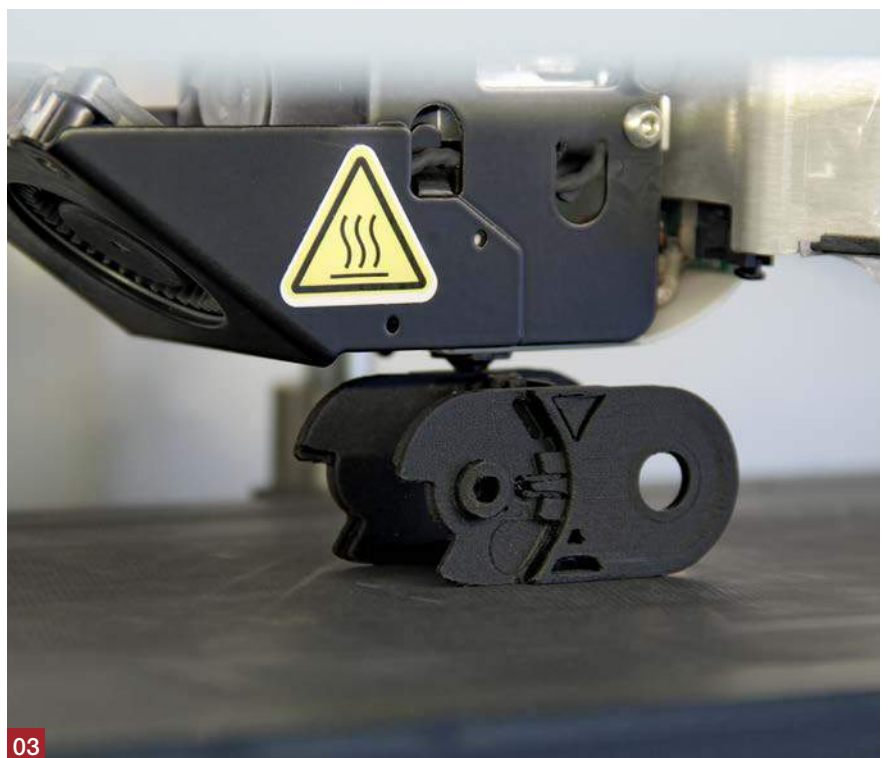
- » Concept, design and development
- » Project planning

02

- » CAD models
- » Simulation
- » Calculation

03

- » In-house 3D printing
- » Vacuum casting
- » Additive manufacturing



04

- » Validation
- » Testing

05

- » Individual manufacturing
- » Series production



15

Your expert
for the furniture industry



Werner Eul
Senior Product Manager
Phone: +49 2762 4003-303
Cell: +49 170 7319944
Email: w.eul@kabelschlepp.de



Information also on your smartphone!
(QR READER app is a free download)

KABELSCHLEPP

Presented by:

Headquarters

TSUBAKI KABELSCHLEPP GmbH
Daimlerstrasse 2
57482 Wenden-Gerlingen, Germany
Phone: +49 2762 4003-0
Fax: +49 2762 4003-220
info@kabelschlepp.de

Business Unit CAPS

KABELSCHLEPP GMBH-HÜNSBORN
Wielandstraße 1 –
Industriegebiet Ost
57482 Wenden-Hünsborn
Germany
Phone: +49 2762 9742-0
Fax: +49 2762 9742-699
ksh@kabelschlepp.de

Automotive Division

KABELTRAX, A division of TSUBAKI
KABELSCHLEPP
Daimlerstrasse 2
57482 Wenden-Gerlingen, Germany
Phone: +49 2762 4003-300
Fax: +49 2762 4003-40300
info@kabeltrax.de · kabeltrax.de